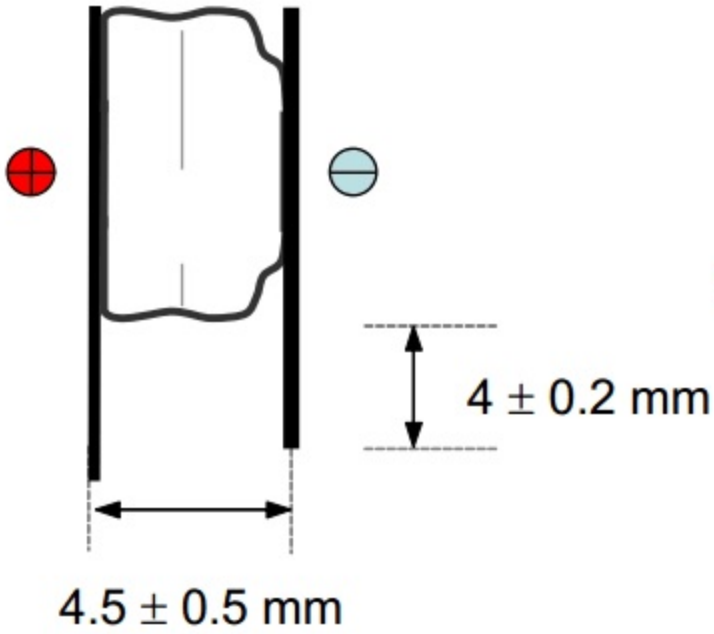
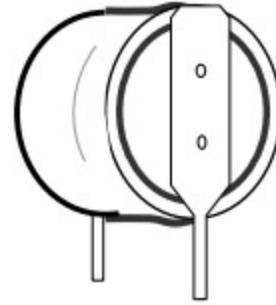
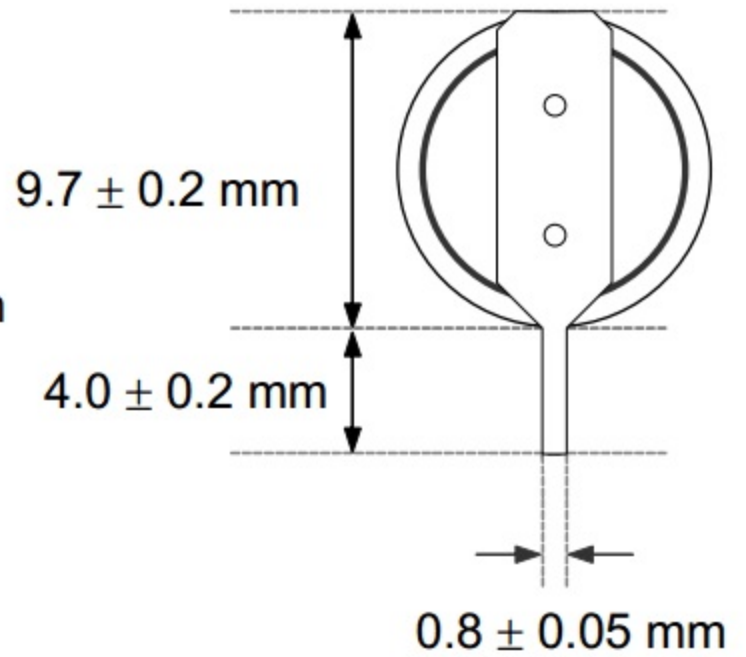


5R5D11F22V 0.22F 5.5V

NAME:5R5D11F22V 0.22F 5.5V



Pin thickness 0.15 mm



RUI CHI